

Quality Products brought to you by Hospitality Solution Group

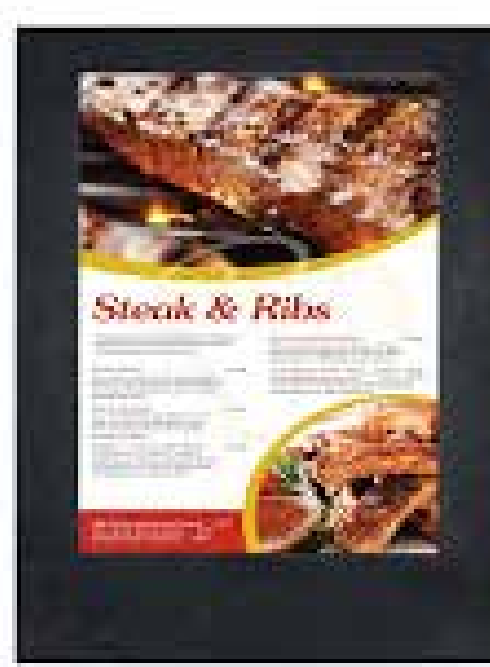


The Glow Menu is the perfect, simple solution when our customers face difficulty in reading menu cards when the restaurants are dimly lit. In order to solve the problem of low-light reading. We bring the low-cost glow menus that make it easier for your clients to read menus perfectly.

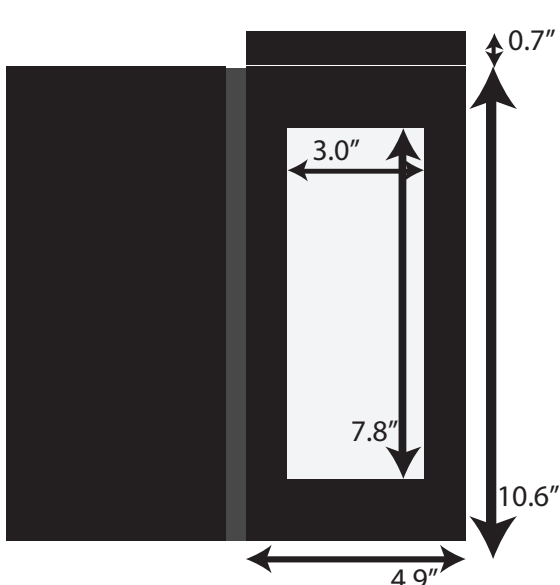
The menus can be customised with your hotel/restaurant branding to blend seamlessly with your identity.



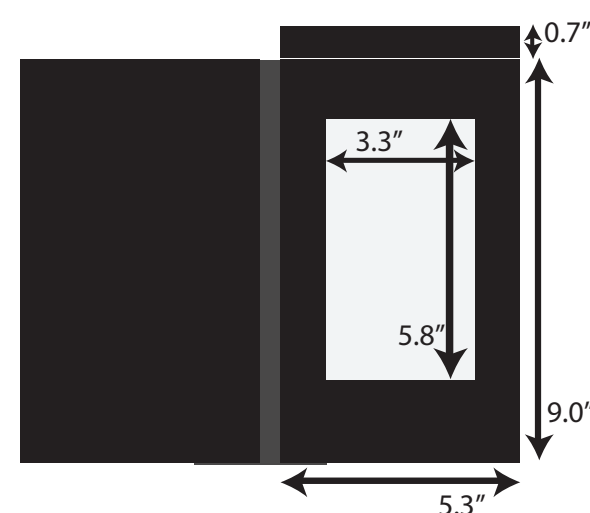
- Easy to customize for dynamic menus
- Long lasting battery
- Rechargeable



Attractive Check Holders

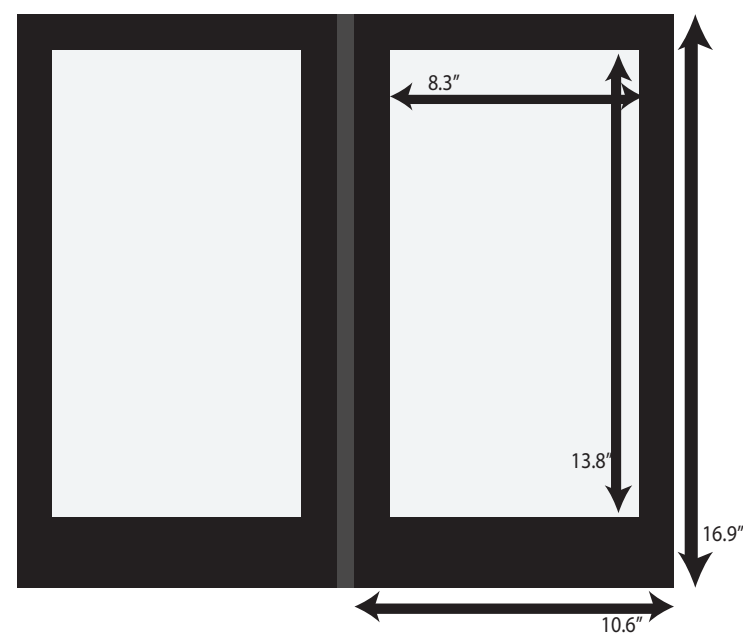


Glow Menu CP1
 Inlay 7.8"X3.0"
 Menu 10.6"X4.9"X0.63"
 Weight 0.88wwq lbs
 Price \$103

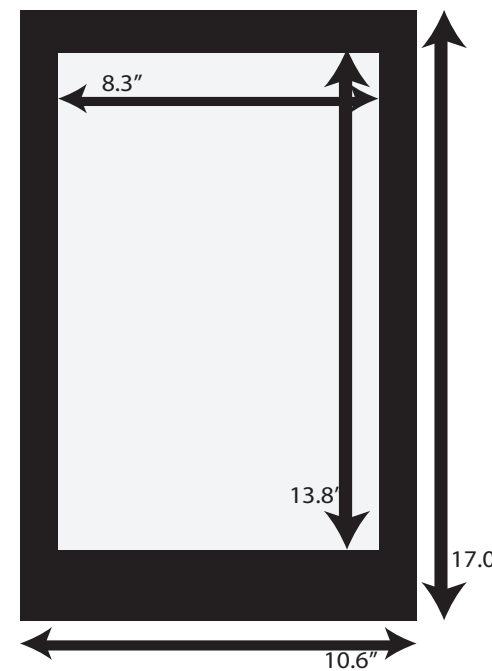


Glow Menu CP2
 Inlay 5.8"X3.3"
 Menu 9.0"X5.3"X0.63"
 Weight 1.1 lbs
 Price \$90

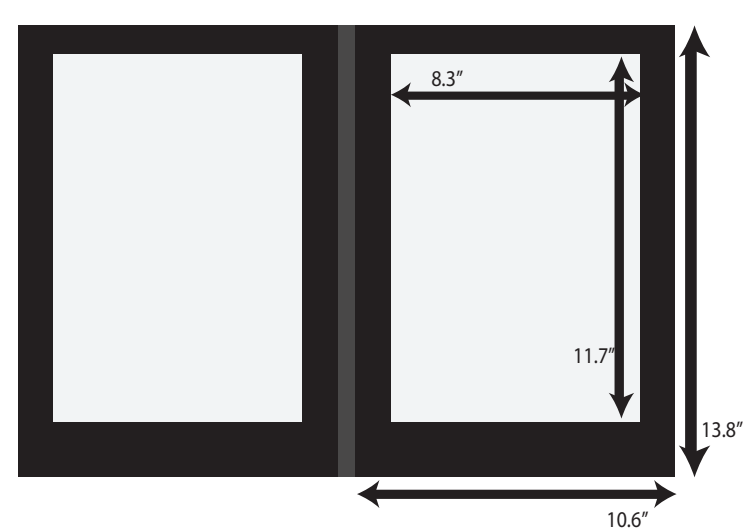
Highly Customizable Solutions



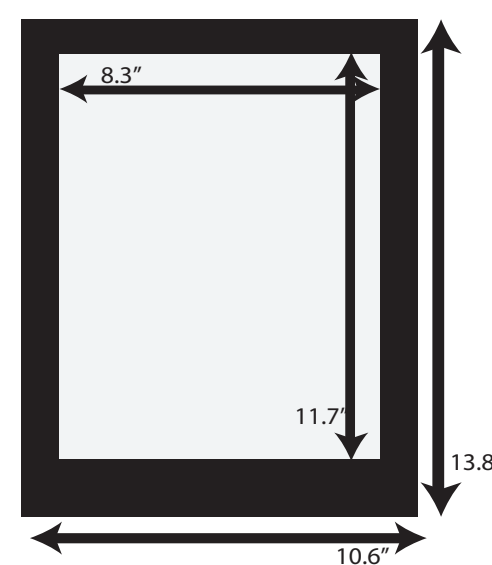
Glow Menu D1
 Inlay 13.8"X8.3"
 Paper (F4/Legal)
 Menu 16.9"X10.6"X0.77"
 Weight 2.9 lbs
 Price \$130



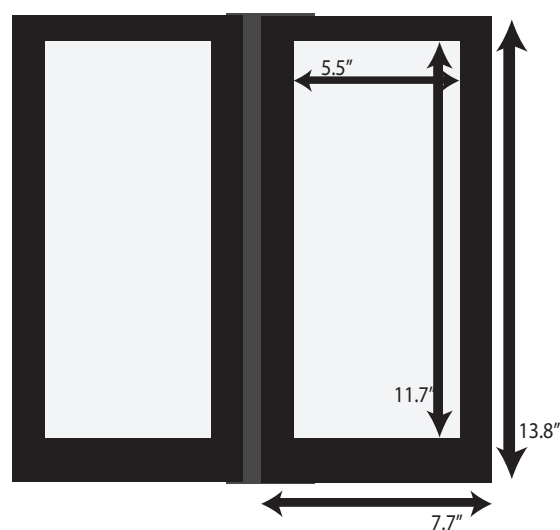
Glow Menu SS1
 Inlay 13.8"X8.3"
 Paper (F4/Legal)
 Menu 16.9"X10.6"X0.77"
 Weight 1.65 lbs
 Price \$103



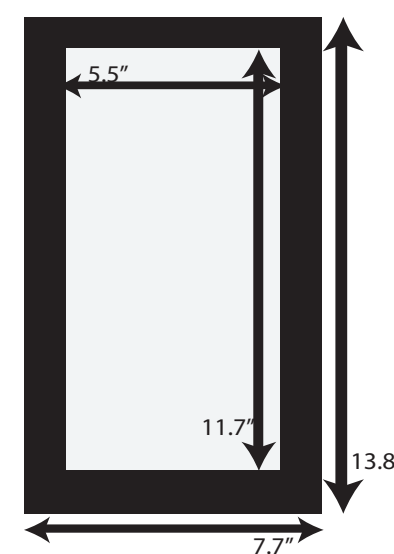
Glow Menu D2
 Inlay 11.7"X8.3"
 Paper A4
 Menu 13.8"X10.6"X0.77"
 Weight 2.4 lbs
 Price \$125



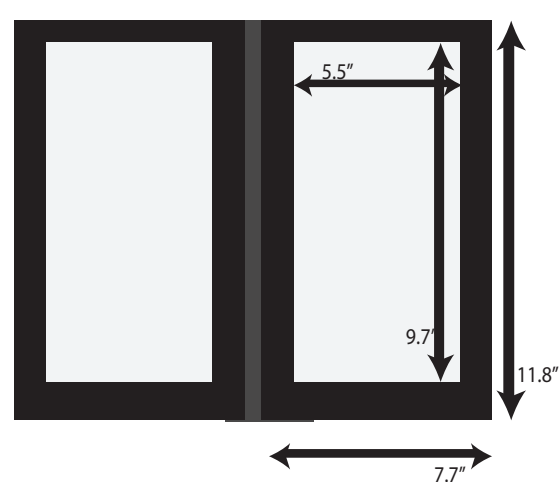
Glow Menu SS2
 Inlay 11.7"X8.3"
 Paper A4
 Menu 13.7"X10.7"X0.77"
 Weight 1.4 lbs
 Price \$95



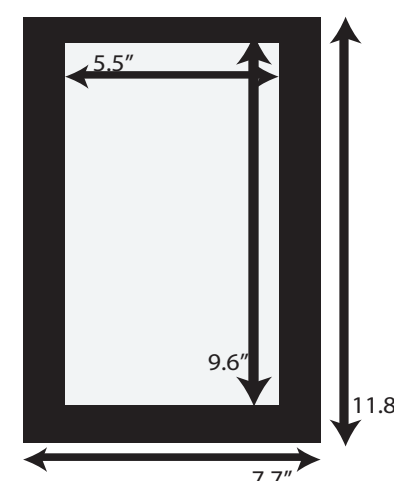
Glow Menu D3
 Inlay 11.7"X5.5"
 Paper 1/3 A3
 Menu 13.8"X7.7"X0.77"
 Weight 1.8 lbs
 Price \$120



Glow Menu SS3
 Inlay 11.7"X5.5"
 Paper 1/3 A3
 Menu 13.8"X7.7"X0.77"
 Weight 0.9 lbs
 Price \$95



Glow Menu D4
 Inlay 9.7"X5.5"
 Paper 1/2 A4
 Menu 11.8"X7.7"X0.77"
 Weight 1.5 lbs
 Price \$115



Glow Menu SS4
 Inlay 9.7"X5.5"
 Paper 1/2 A4
 Menu 11.8"X7.7"X0.77"
 Weight 0.82 lbs
 Price \$90



A Finish for every finale

Interested in other hotel products? Contact us for a Demo today!!

Sales@hospitalitysolutionme.com