

PL - 3001

Universal 3 pin socket

Dual USB charging outlets



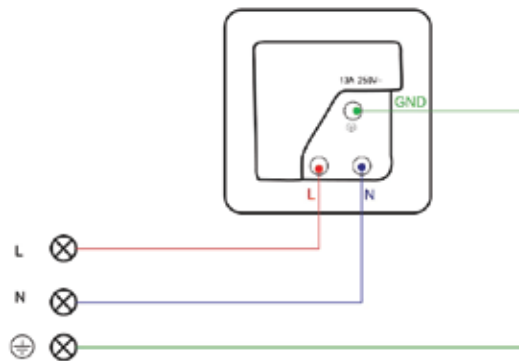
Specifications

Universal 3 PIN Socket: 13A, 85-250V AC, 50/60Hz

Universal 2 USB Output: 5V/2.1 A

Size: 86mm X 86mm X 40mm

Wire Connection Diagram:



PL - 3002

3 pin universal socket

Dual USB outlets



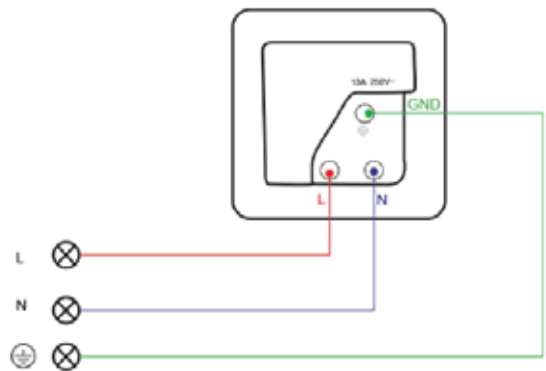
Specifications

Universal 3 PIN Socket: 13A, 85-250V AC, 50/60Hz

Universal 2 USB Output: 5V/2.1 A

Size: 86mm X 86mm X 40mm

Wire Connection Diagram:



PL - 3003

Universal 3 pin socket with On/Off Switch

Dual USB charging outlets



Specifications

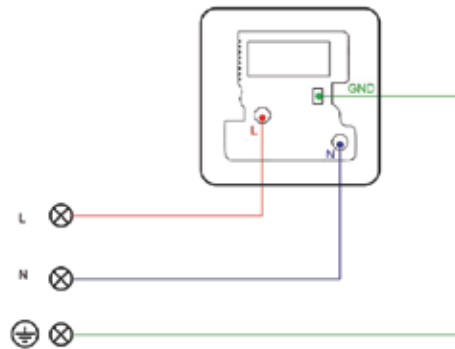
Universal 3 PIN Socket: 13A, 85-250V AC, 50/60Hz, with On/Off Switch

Universal 2 USB Output: 5V/2.1 A

Size: 86mm X 86mm X 34mm

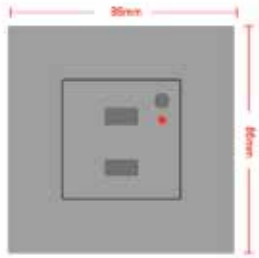
Material: White imported fire resistant PC.

Wire Connection Diagram:



PL - 3004

Dual USB Charging Socket with On/Off Button



Tempered Glass



Brushed Aluminum



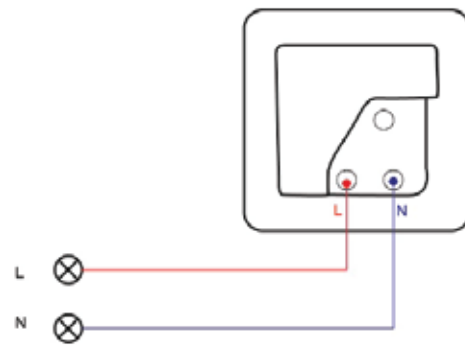
Plastic

Specifications

Universal 2 USB Output: 5V/ 2.1 A

Size: 86mm X 86mm X 40mm

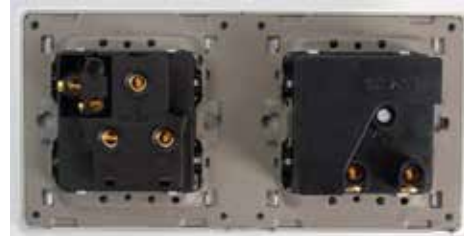
Wire Connection Diagram:



PL - 3005

2 in 1 connected panel

Universal 3 pin socket with On/Off Switch &
Dual USB charging outlets with On/Off Switch



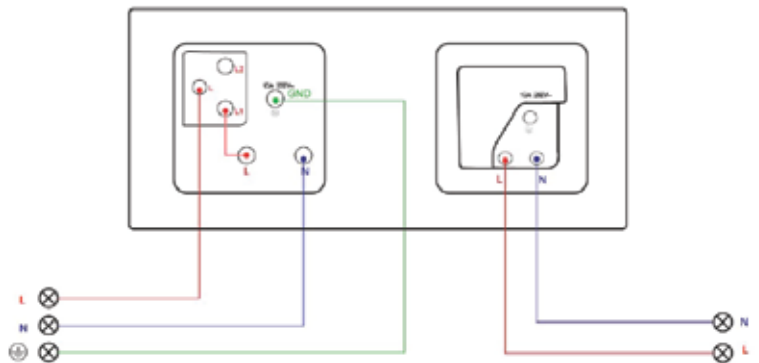
Specifications

Universal 3 PIN Socket: 13A, 85-250V AC, 50/60Hz, with On/Off Switch

Universal 2 USB Output: 5V/2.1 A, with On/Off Switch

Size: 172mm X 86mm X 40mm

Wire Connection Diagram:



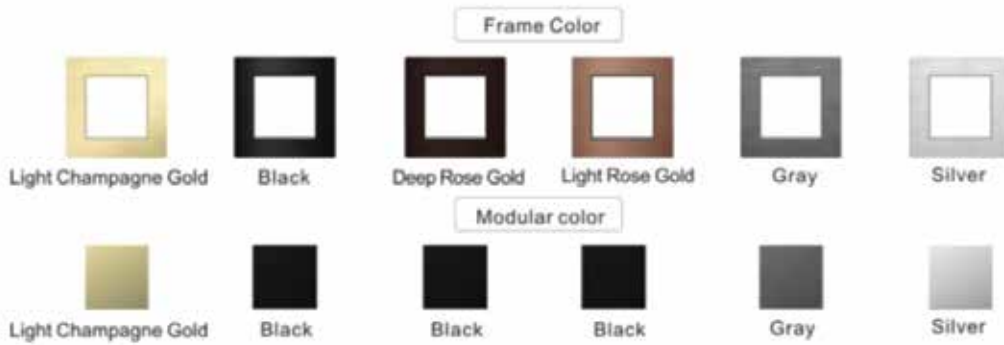
Customization Options

Panel Material : Brushed Aluminum, Tempered Glass or Plastic

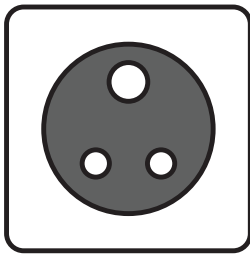
Panel Color : Black, Silver, Gold, Brown, etc.

Function module : 3/5 PIN power socket, USB, RJ45, RJ11, HDMI, Etc.

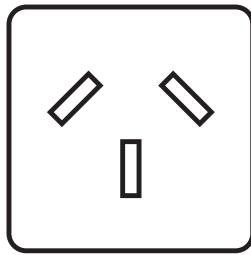
Connected Panel : 1-5 panels can be connected



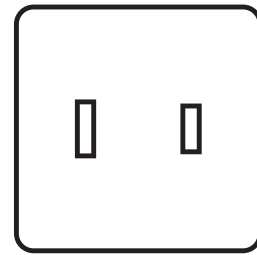
Country Specific Plugs Available



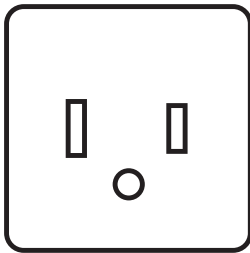
India



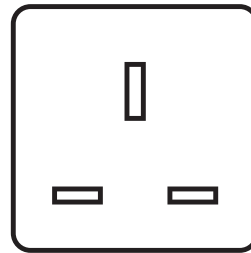
Australia



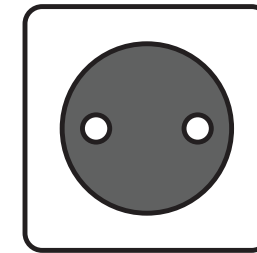
USA



USA

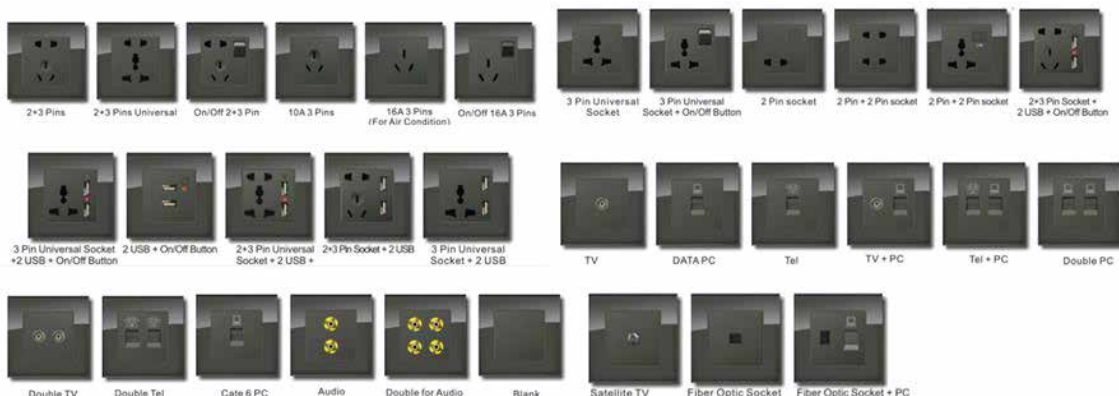


United Kingdom

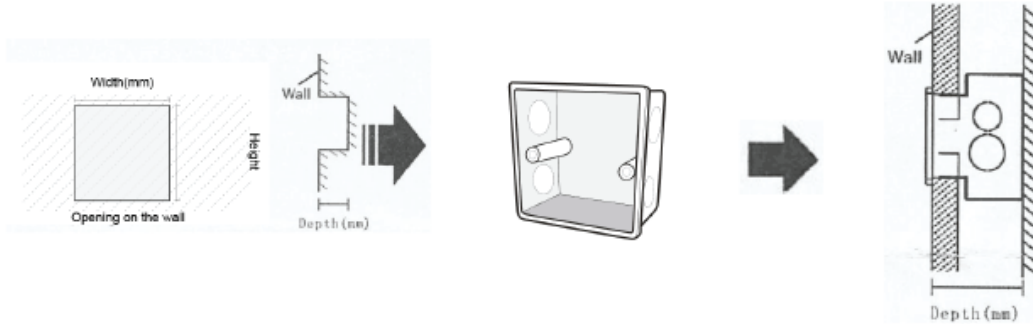


Asia

Modular Options



Installation Instructions

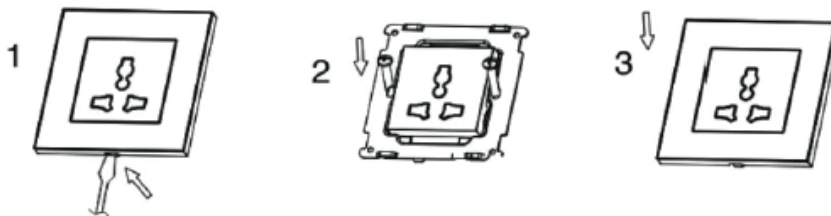


Desk Embedded Installation:



Installment Way (picture model is just an example for socket):

- 1: Connection according to the connection diagram and make holes firstly.
- 2: Disassemble the frame (Picture 1).
- 3: Put the screw into the hole and screw in with torque 0.2-0.4N.m, fixing the socket in the box (Picture 2).
- 4: Assemble the frame (Picture 3).



- For safety, installment and un-installment should be operated by professionals.
- Don't touch it by wet hand to avoid electric leakage
- Short circuit and overload is forbidden, otherwise switch will be damaged.

Certification

CE,UL & ROHS certification

Hospitality Solution Group

www.hospitalitysolutiongroup.com



Company HQ

Level 2 , Office 21- 66 Crescent
Narre Warren Melbourne 3805
Australia

Tel : +61 3 87 82 37 88

Mobile: +61 40 11 900 00

gm@hospitalitysolutionme.com



HSME Saif Office No. P8/10/19

P.O.Box 513471 Saif Zone

UAE

Tel : +971 6 5661681

Mobile: +971 50 765 92 90

sales@hospitalitysolutionme.com



Enterprises House 113-115

George Lane Southwoodford
E181AB London

UK

Mobile: +44 777 5 984 565

uksales@hospitalitysolutionme.com